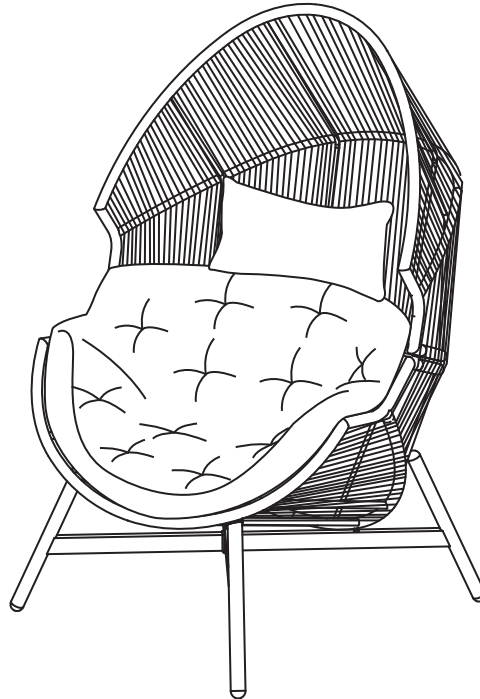
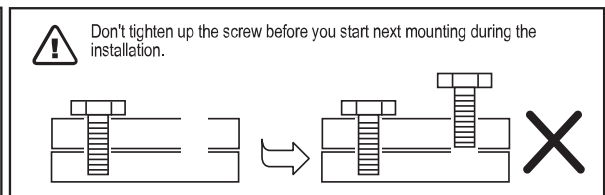
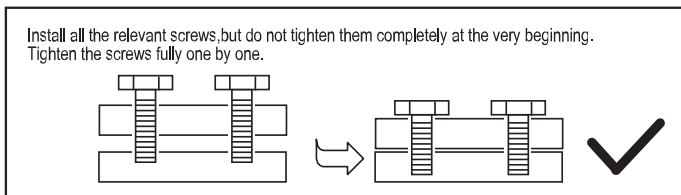
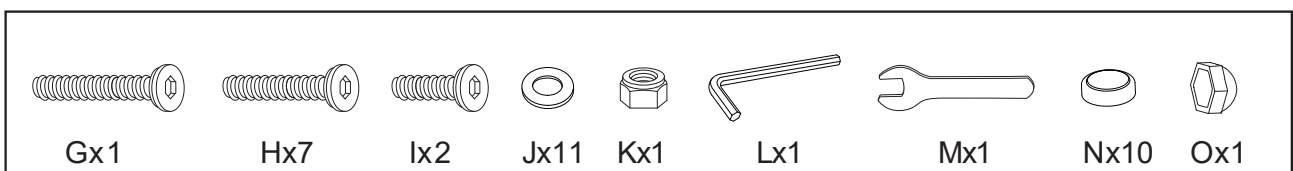
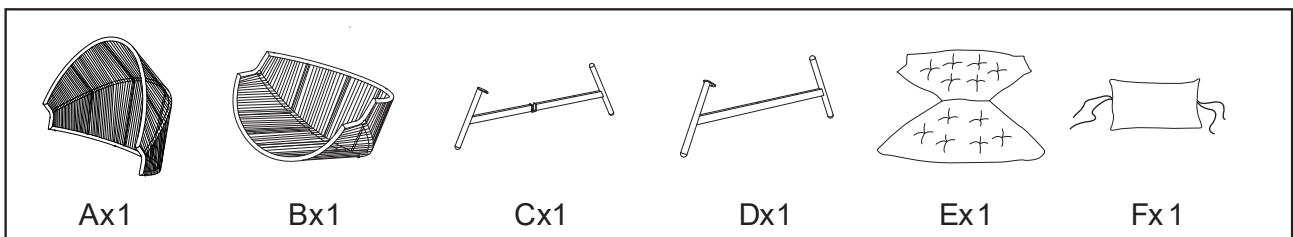


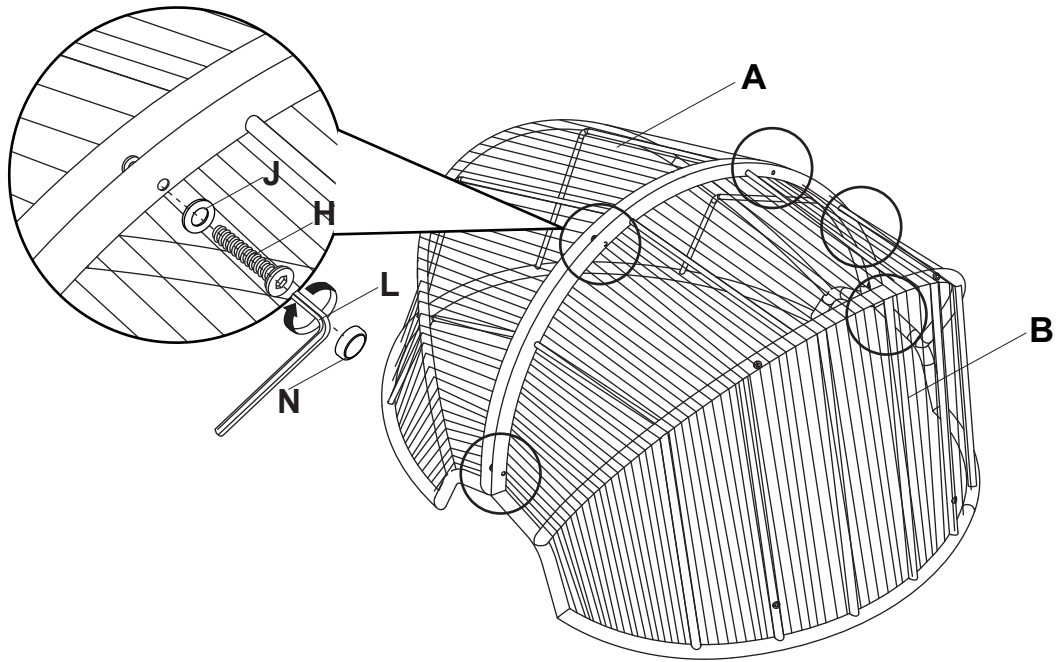
HELSINKI SINGLE EGG CHAIR



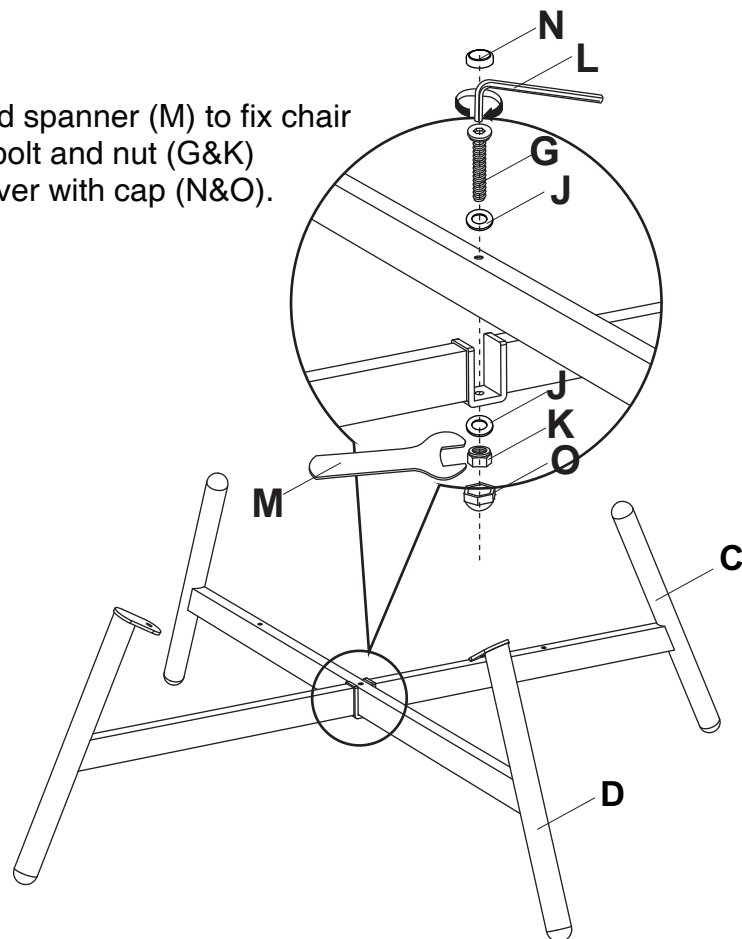
1. PLEASE SEPARATE AND IDENTIFY ALL PARTS, MAKING SURE THAT YOU HAVE ALL OF THE PARTS LISTED.
2. TO AVOID ANY SCRATCHES DURING ASSEMBLY, PLEASE ASSEMBLE ON A SOFT MAT OR SIMILAR.
3. PLEASE ASSEMBLE STEP BY STEP AND FOLLOW THE INSTRUCTIONS.
4. WASHERS MUST BE USED.
5. WHILE EACH SCREW AND NUT IS PROPERLY FASTENED, DO NOT OVER FASTEN IT.
6. DO NOT COMPLETELY FASTEN EACH SCREW AND NUT UNTIL ALL THE SCREWS ARE PROPERLY FIXED.



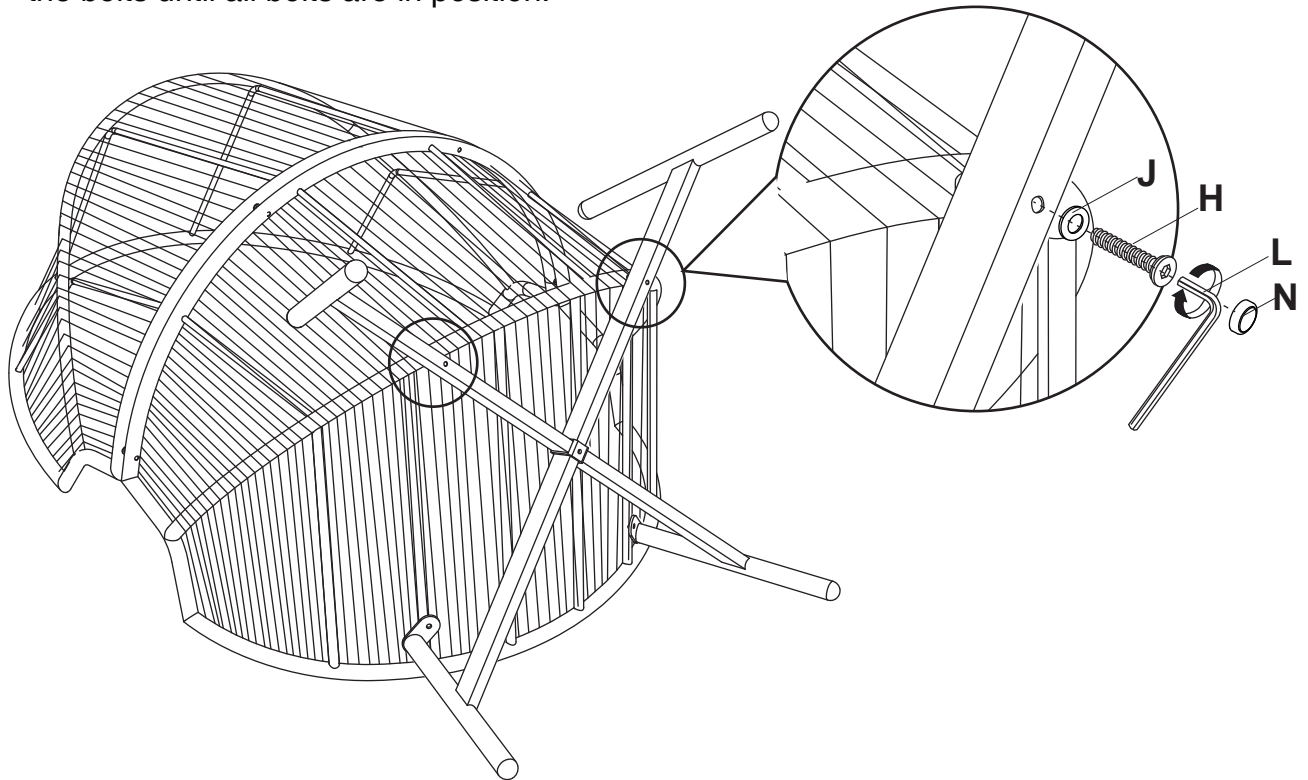
- 1** Use Allen key (L) to fix seat top (A) to seat base (B) with bolt (H) and washer (J). Cover with cap (N).



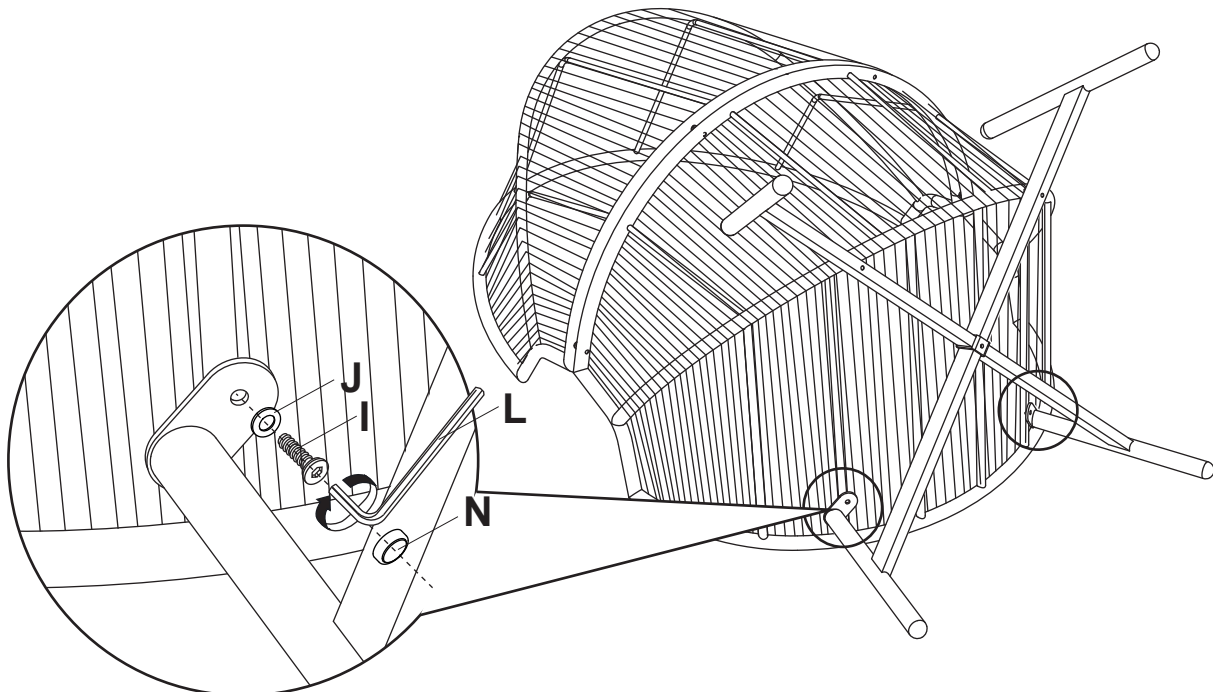
- 2** Use Allen key (L) and spanner (M) to fix chair legs as picture with bolt and nut (G&K) and washers (J). Cover with cap (N&O).



3 Fix whole seat to legs with Allen key (L), bolt (H) and washer (J). Loosely tighten the bolts until all bolts are in position.



4 Repeat step 3 again to fix front legs. Once all bolts are in position securely tighten all bolts. Then cover with caps (N).

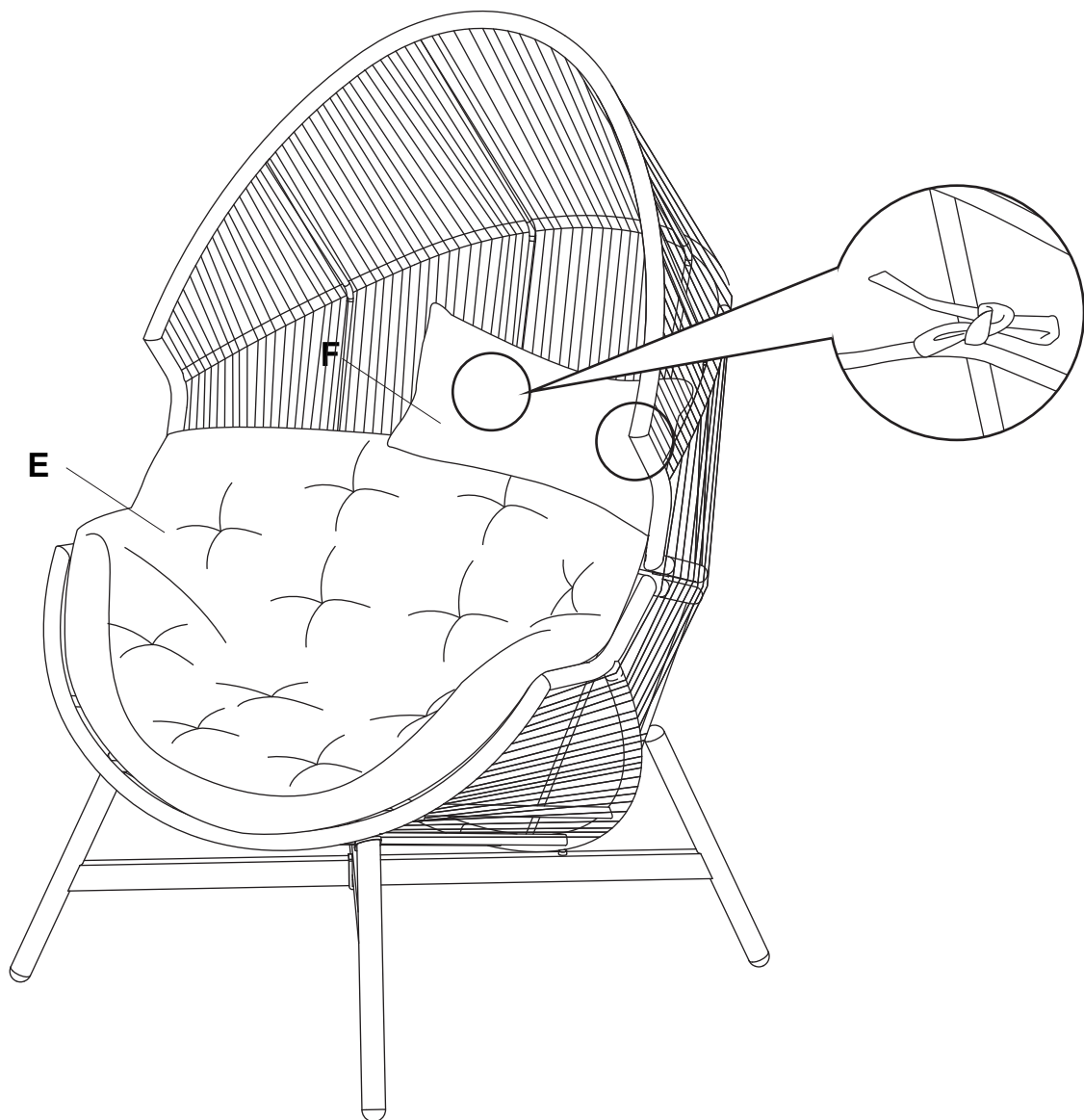


HELSINKI SINGLE EGG CHAIR

ASSEMBLY INSTRUCTIONS



- 5 Fasten seat cushion (E) and head pillow (F) on chair with the fabric ties. And your chair is ready to use.



For care and maintenance tips please visit: [synargy.com/product-care](https://www.synargy.com/product-care)