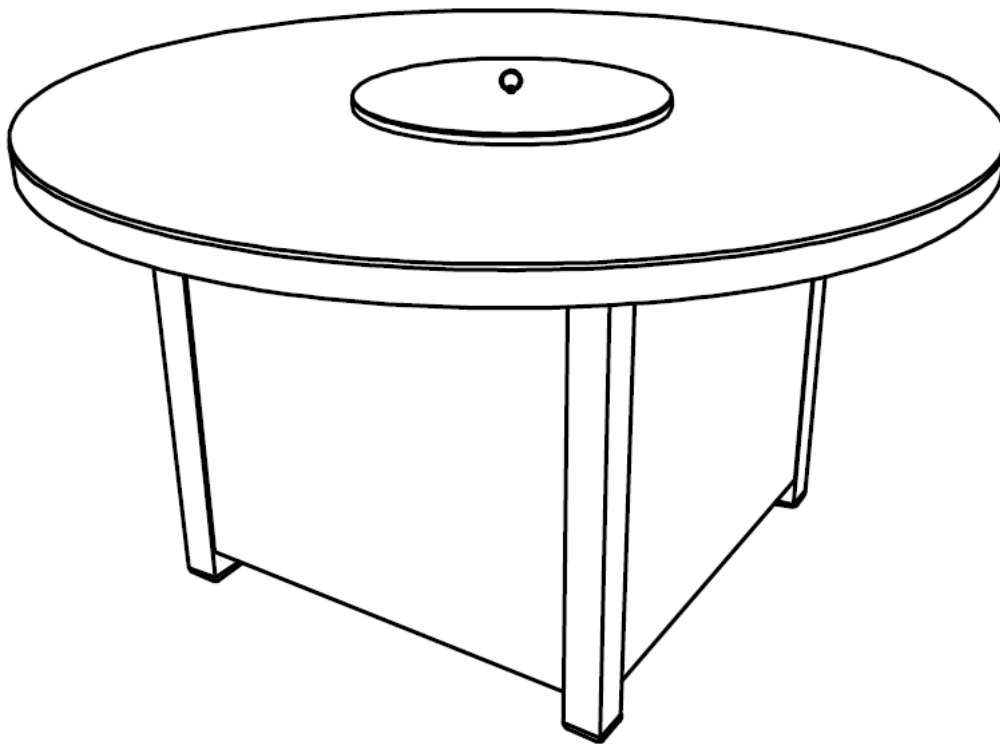
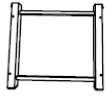











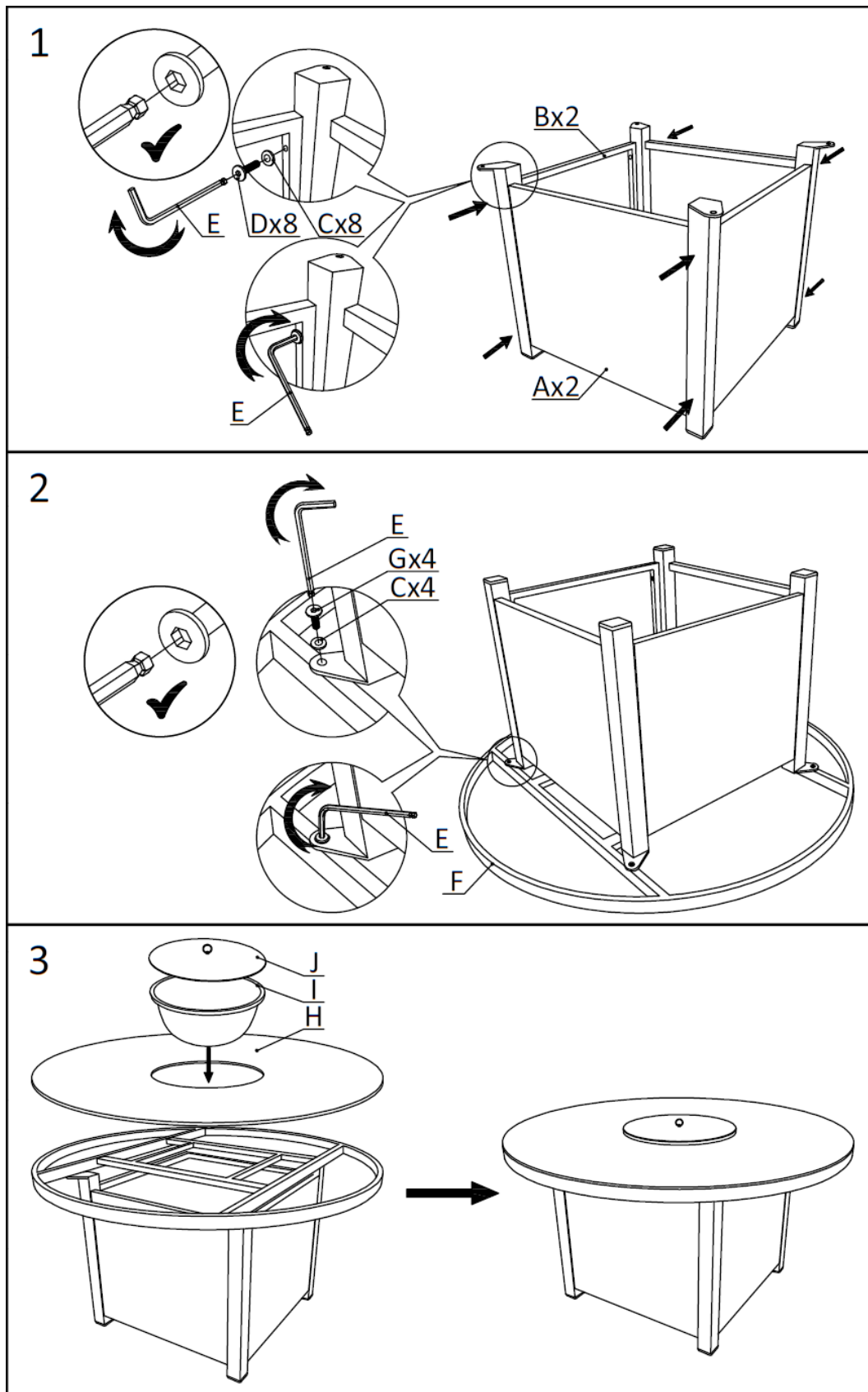
**IMPORTANT: Please read these assembly instructions carefully before beginning assembly. Retain for future reference. CAUTION: This product is heavy. Assemble with the assistance of another adult. Do not assemble in the presence of children.**



**Insert all bolts and loosely finger tighten first. Once all bolts are in place, re-visit each bolt and fully tighten with the provided tool. Do not fully tighten bolts one by one.**

1. PLEASE SEPARATE AND IDENTIFY ALL PARTS, MAKING SURE THAT YOU HAVE ALL OF THE PARTS LISTED.
2. TO AVOID ANY SCRATCHES DURING ASSEMBLY, PLEASE ASSEMBLE ON A SOFT MAT OR SIMILAR.
3. PLEASE ASSEMBLE STEP BY STEP AND FOLLOW THE INSTRUCTIONS.
4. WASHERS MUST BE USED.
5. WHILE EACH BOLT AND NUT IS PROPERLY FASTENED, DO NOT OVER FASTEN IT.
6. DO NOT COMPLETELY FASTEN EACH BOLT AND NUT UNTIL ALL THE BOLTS ARE PROPERLY FIXED.

No.	Drawings	Q'TY
A		2PCS
B		2PCS
C	 (Ø16xØ8.5x1.5)	12PCS
D	 (1/4x35)	8PCS
E	 (4mm)	1PC
F		1PC
G	 (1/4x20)	4PCS
H		1PC
I		1PC
J		1PC



For care and maintenance tips please visit: [synargy.com/product-care](http://synargy.com/product-care)